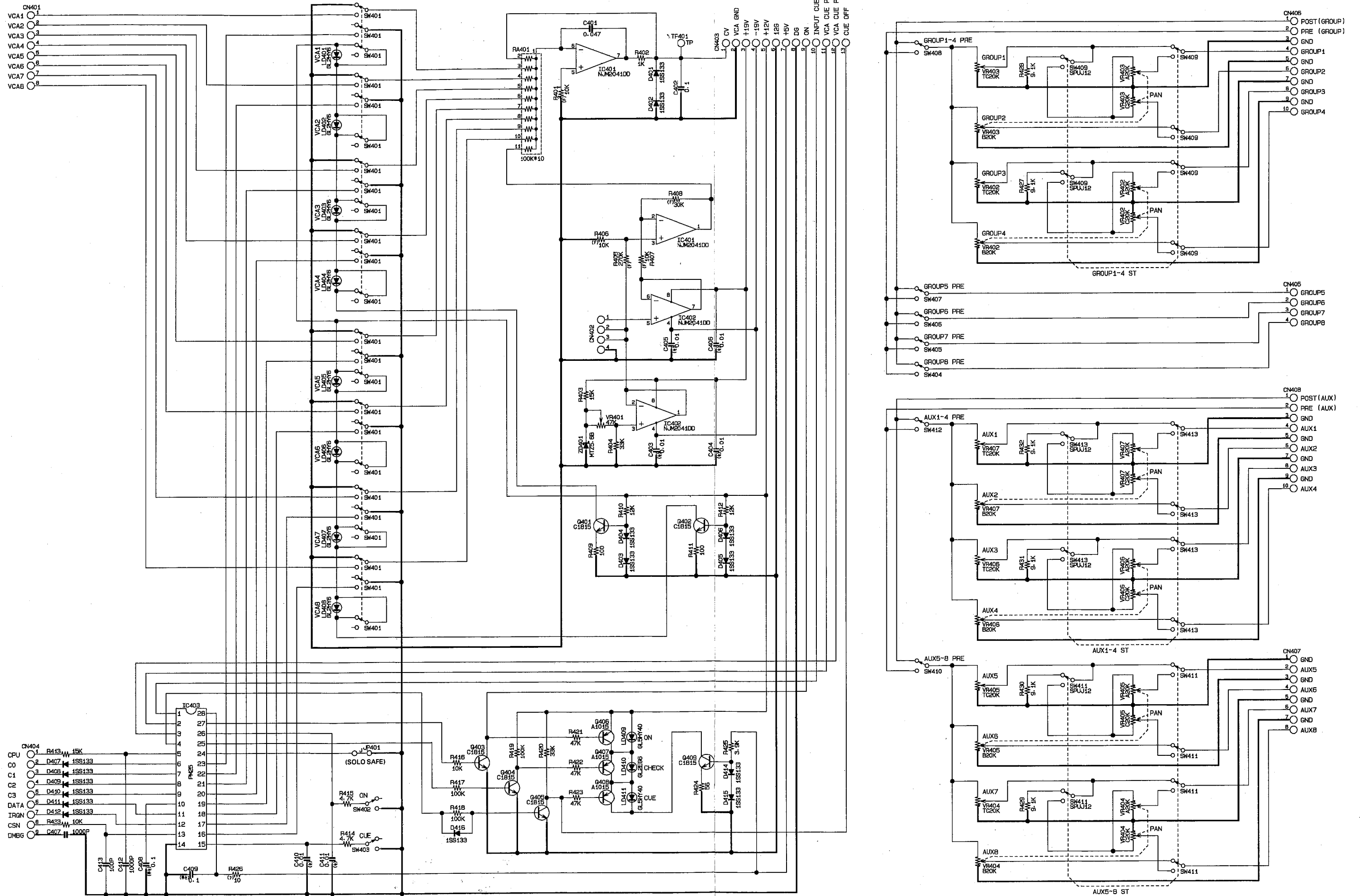


MI3 CIRCUIT DIAGRAM



- CN401 1 VCA1
- 2 VCA2
- 3 VCA3
- 4 VCA4
- 5 VCA5
- 6 VCA6
- 7 VCA7
- 8 VCA8

- CN405 1 POST (GROUP)
- 2 PRE (GROUP)
- 3 GND
- 4 GROUP1
- 5 GND
- 6 GROUP2
- 7 GND
- 8 GROUP3
- 9 GND
- 10 GROUP4

- CN405 1 GROUP5
- 2 GROUP6
- 3 GROUP7
- 4 GROUP8

- CN408 1 POST (AUX)
- 2 PRE (AUX)
- 3 GND
- 4 AUX1
- 5 GND
- 6 AUX2
- 7 GND
- 8 AUX3
- 9 GND
- 10 AUX4

- CN407 1 GND
- 2 AUX5
- 3 GND
- 4 AUX6
- 5 GND
- 6 AUX7
- 7 GND
- 8 AUX8

注1) SOLO SAFE工場出荷時セット
ON:JP401にJ線挿入

注2) 欠番 [回路記号]
D413